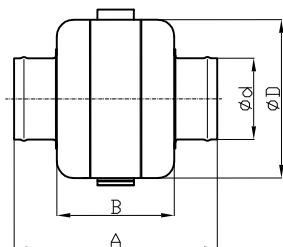
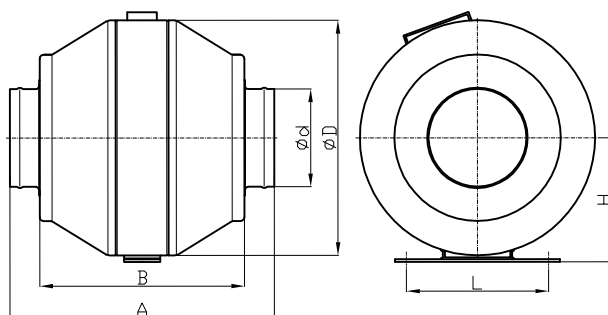


WKBO-10, -12 EC



WKBO-15, -20, -25 EC



WKBO-10, -12 EC



WKBO-15, -20, -25 EC



### Application

Round duct fans suitable for forcing air in ducts with diameters from  $\varnothing 125$  to  $\varnothing 250$ . Maximum working temperature of the fans + 60 degrees C. Fans adapted for forcing clean or slightly polluted air.

### Construction

The fan housing is made of steel sheet, protected against corrosion by coating with polyester using the oven method. Radial impeller. It is characterized by a low noise level. Single-phase EC motor.

### Technical data:

	Efficiency MAX	Pressure MAX	Noise*	Input power	Highest speed	Rated Current **	Weight
	[m <sup>3</sup> /h]	[Pa]	[dB]	[W]	[obr./min]	[A]	[kg]
WKBO-12 EC	520	470	67	80	3650	0,65	8
WKBO-15M EC	680	390	67	70	2500	0,6	10
WKBO-15D EC	850	400	66	75	2600	0,6	13
WKBO-20M EC	1050	540	71	170	2600	1,1	14
WKBO-20D EC	1530	400	70	130	2000	0,9	15
WKBO-25M EC	1850	380	62	115	1630	1,32	16
WKBO-25D EC	2300	1000	76	340	2650	2,85	18

\*Measurement at a distance of 4m \*\*Guide values, may change the application depending on the motor used  
Rated currents are given on the rating plate and in the operating instructions.

### Dimensions:

Typ	Dimensions					
	ØD	Ød	B	A	L	H
	[mm]	[mm]	[mm]	[mm]	[mm]	[mm]
WKBO - 12 EC	240	125	200	310	180	129
WKBO - 15M EC	356	150	310	400	215	188
WKBO - 15D EC	356	150	310	400	215	188
WKBO - 20M EC	356	200	310	400	215	188
WKBO - 20D EC	424	200	310	470	250	225
WKBO - 25M,D EC	424	250	310	480	250	225

