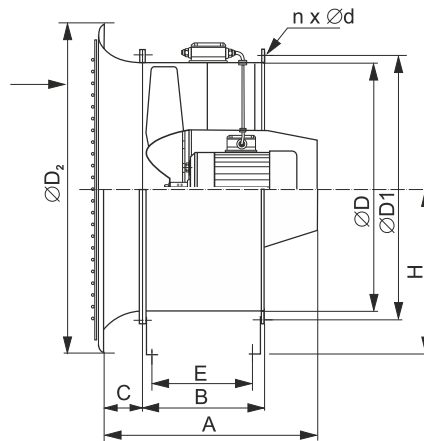


Application

Fans adapted to forcing air with a density of $\rho=1.2$ kg/m³, intended for e.g. for installation in pipelines. They can be used in suction and forced ventilation, in rooms where a large amount of air is required, e.g. in production halls, warehouses, machine rooms, etc. As standard, the fan is designed to work at temperatures up to +40°C. Other temperature ranges available on request. Any working position.

Construction

Fan housing made of steel sheet, steel impeller or aluminum on request. Protected against corrosion in the form of powder painting or hot-dip galvanized on request.


Dimensions:

Type	ØD	ØD1	ØD2	A	B	C	H	E	n x Ød
	[mm]	[mm]	[mm]	[mm]	[mm]	[mm]	[mm]	[mm]	[mm]
WOO-63	630	670	820	570	430	70	496	360/460	12 x 9,5
WOO-80	800	840	1040	780	560	90	543	480/580	16 x 9,5
WO-100	1000	1073	1330	1020	500	170	700	430/800	24 x 15

Technical data:

Typ	Efficiency MAX	Efficiency nominal	Pressure nominal	Input power	Highest speed	Rated Current **	Noise*	Weight
	[m ³ /h]	[m ³ /h]	[Pa]	[kW]	[obr./min]	[A]	[dB(A)]	[kg]
WOO-63/1	12240	9000	300	1,5	1400	3,4	68	88
WOO-63/2	14400	10800	340	2,2	1400	4,8	67	96
WOO-63/3	17280	12600	400	2,2	1400	4,8	68	97
WOO-63/4	19800	14760	460	3,0	1400	6,5	67	101
WOO-63/5	23220	16560	520	4,0	1400	8,1	66	108

Typ	Efficiency MAX	Efficiency nominal	Pressure nominal	Input power	Highest speed	Rated Current **	Noise*	Weight
	[m ³ /h]	[m ³ /h]	[Pa]	[kW]	[obr./min]	[A]	[dB(A)]	[kg]
WOO-80/1 M	17280	12600	230	1,5	950	3,8	70	152
WOO-80/1 D	25920	19440	550	5,5	1400	10,9	80	178
WOO-80/2 M	19800	15120	260	2,2	950	5,4	70	157
WOO-80/2 D	30420	22680	600	7,5	1400	14,4	80	190
WOO-80/3 M	22320	17280	290	2,2	950	5,4	70	157
WOO-80/3 D	34200	26640	660	7,5	1400	14,4	76	190
WOO-80/4 M	24480	19440	320	3,0	950	6,9	69	173
WOO-80/4 D	37800	29880	710	7,5	1400	14,4	76	190
WOO-80/5 M	28800	23400	360	3,0	950	6,9	67	173
WOO-80/5 D	43020	36000	830	11,0	1400	20,6	75	238
WOO-80/6 M	31680	27000	420	5,5	950	12,0	68	190
WOO-80/6 D	48600	41400	950	15,0	1400	27,0	79	252

Typ	Efficiency MAX	Efficiency nominal	Pressure nominal	Input power	Highest speed	Rated Current **	Noise*	Weight
	[m ³ /h]	[m ³ /h]	[Pa]	[kW]	[obr./min]	[A]	[dB(A)]	[kg]
WO-100/1	45000	36360	452	7,5	950	15,4	91	279
WO-100/2	60660	45720	552	11,0	950	22,2	89	306
WO-100/3	77220	60660	620	15,0	950	29,7	92	345

*Measurement at a distance of 4m **Guide values, may change the application depending on the motor used
 Rated currents are given on the rating plate and in the operating instructions.

